



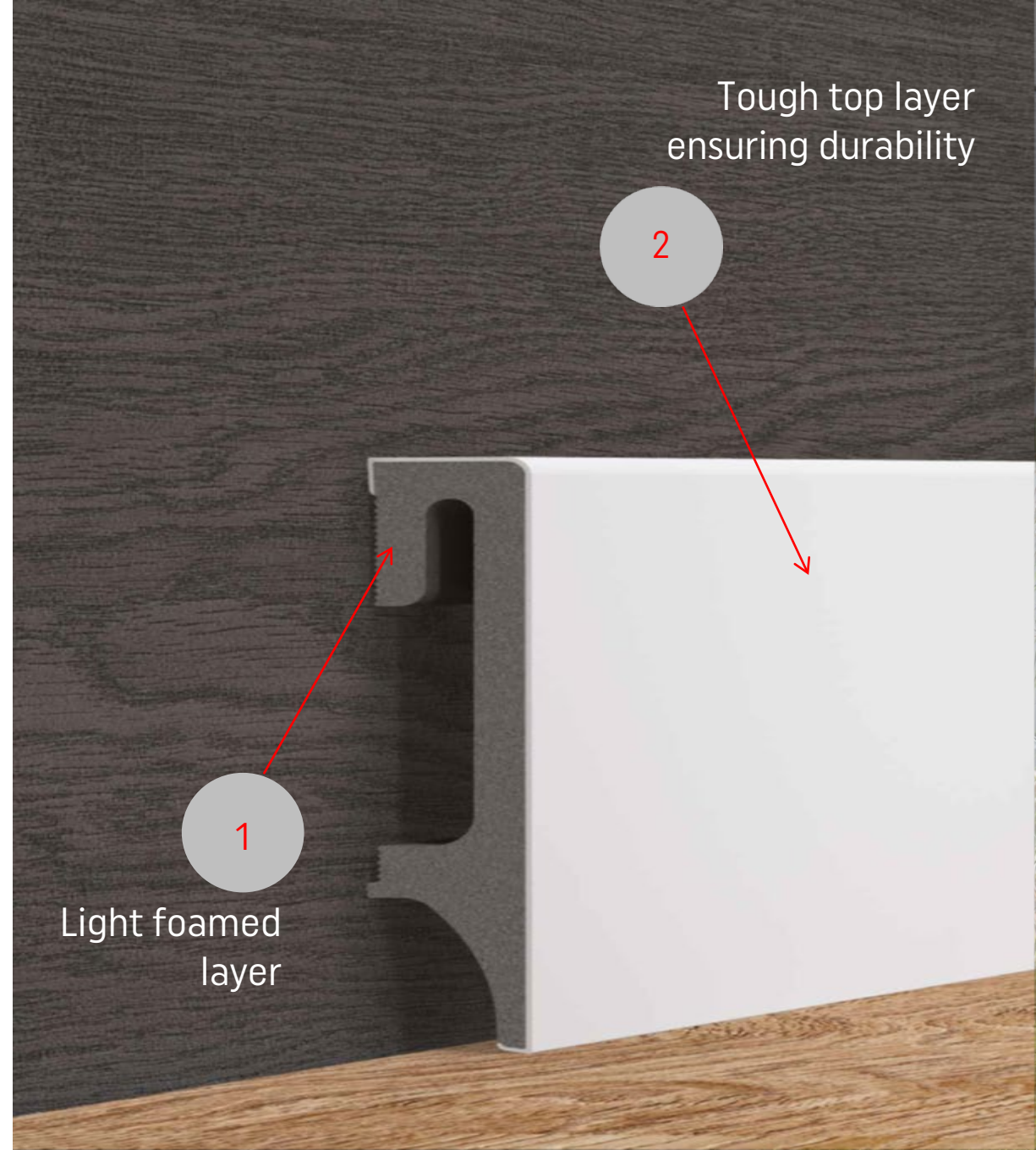


ESPUMO SKIRTING BOARDS

2022

ESPUMO. DIFFERENT FROM OTHERS

- Espumo skirting boards' collection is produced in Poland, in Kerracore technology developed in VOX labs.
- To produce Espumo skirting boards a special type of polymer material enriched with mineral additives is used.
- Espumo consist of a light, foamed layer inside and tough top layer that makes them durable and waterproof.
- Espumo are environment friendly – recycles constitute 80% of the product.



ESPUMO. DIFFERENT FROM OTHERS

- Material of which Espumo is produced does not allow the skirting boards to absorb any water, which prevents them from distortion..
- Espumo skirting boards do not absorb humidity neither from the air nor from humidity emitted by walls or floor. For this reason this collection is perfect to be used in new apartments in which walls emit humidity for some time after they are commissioned for use.



ESPUMO. DIFFERENT FROM OTHERS

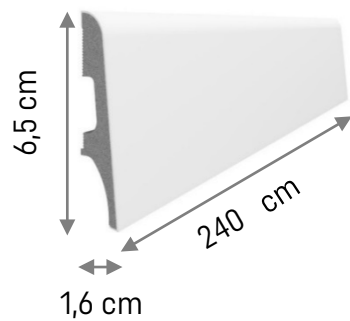
- Espumo collection includes 11 models of skirting boards:
- 5 white skirting boards :
ESP 101, ESP 201, ESP 301, ESP 401, ESP 501 – NEW
- 3 skirting boards in the shades of grey:
ESP 202, ESP 203, ESP 205
- NEW: 3 black skirting boards:
ESP 206, ESP 406, ESP 506
- All Espumo skirting boards can be finished with plastic end caps that match each shape and colour (only if electrical cables are not hidden inside).



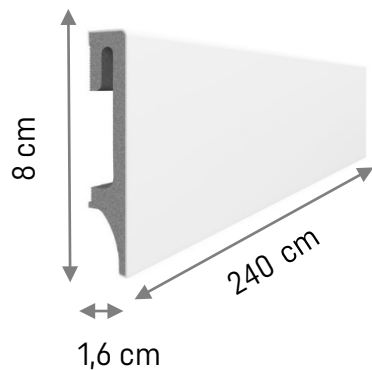
WHITE ESPUMO SKIRTING BOARDS

Length: 240 cm

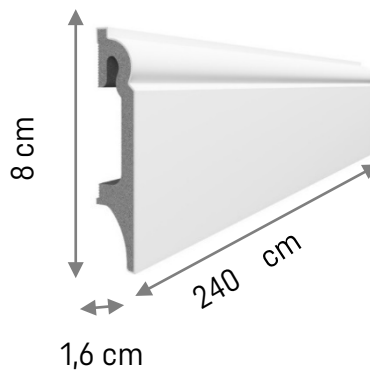
ESP101



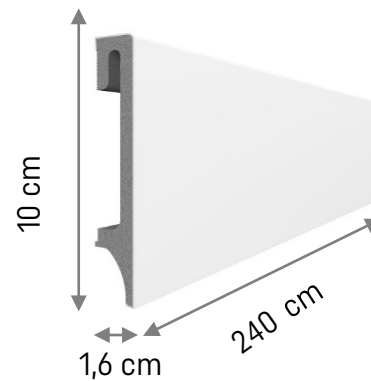
ESP201



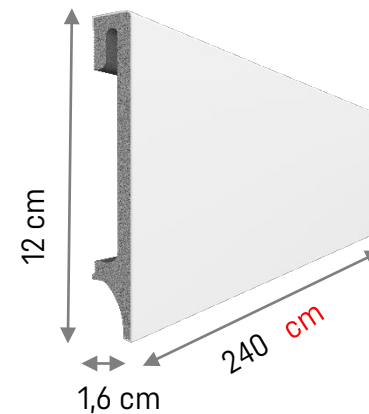
ESP301



ESP401



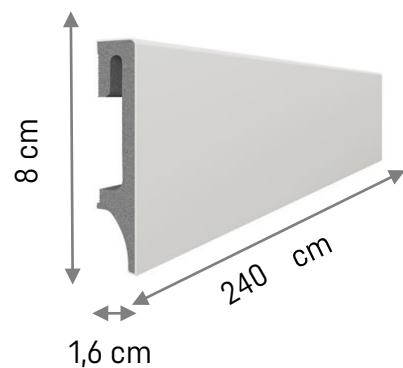
ESP501



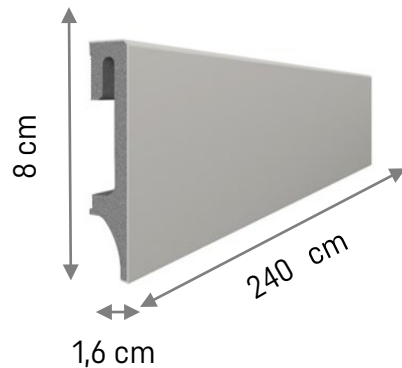
GREY SHADES OF ESPUMO SKIRTING BOARDS

Length: 240 cm

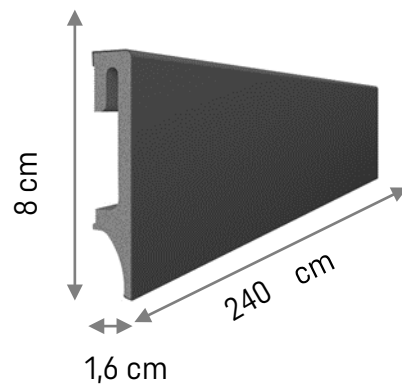
ESP202



ESP203



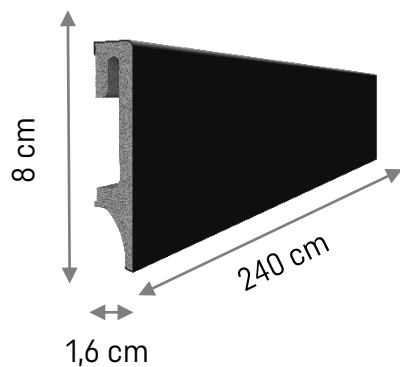
ESP205



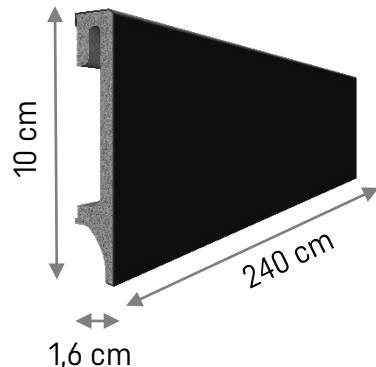
BLACK ESPUMO SKIRTING BOARDS - NEW

Length: 240 cm

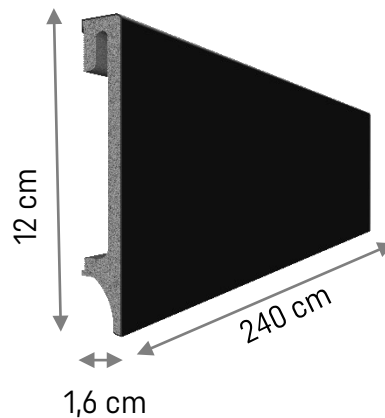
ESP206



ESP406



ESP506

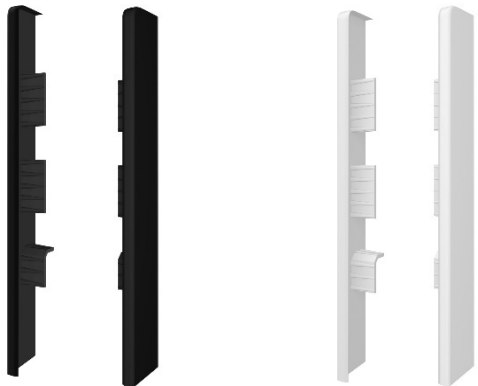


FINISHING ACCESSORIES (END CAPS) - NEW

All Espumo skirting boards may be finished with end caps that match each shape and colour of the skirting boards.

End caps are sold in sets .

(1 set = 2 pcs: 1 left and 1 right end cap).



- It is possible to hide electrical wires in Espumo. Then one must not finish the strips with plastic end caps, but with a piece cut out of a skirting board.



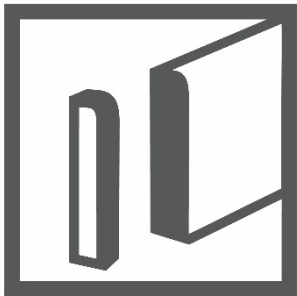
KEY FEATURES



RESISTANT
TO WATER



RESISTANT
TO IMPACT



MATCHING
ACCESSORIES



GLUED
TO THE WALL

